

# BALL-JOINT Tow Point Adaptor

- *Use On Wire Rope & E/M Cable*
- *Provides Articulation At Cable Termination*
- *Non-Rotating Design Standard*
- *Designed For Marine Use*
- *Unique Patented Design*

## CONTROL DAMAGING BENDING STRESS

Articulation is provided at the termination point of your cable system. By reducing or eliminating bending at the cable attachment point, the BALL JOINT Tow Point Adaptor extends the working life of your cable system and cuts the expense of repair and downtime.

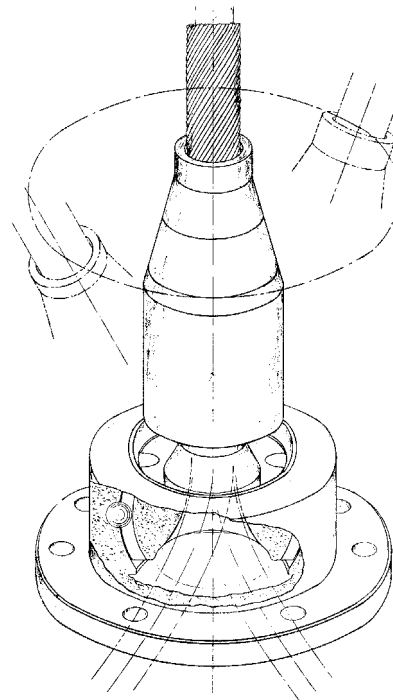
## UNIQUE PATENTED DESIGN

The unique patented design of the BALL JOINT Tow Point Adaptor uses stationary anti-rotation balls encased between a housing and an articulating ball member. Easy assembly consists of inserting the articulating ball member through an access opening in the housing and capturing the anti-rotation balls.

After assembly, the ball is restricted from rotation relative to the housing, but will articulate conically up to 30 degrees off axis. Its compact design makes it ideal for towed or suspended instrumentation platforms and remotely operated vehicles.

## DESIGNED FOR MARINE USE

The BALL JOINT Tow Point Adaptor is designed for the undersea environment. It is fabricated of corrosion resistant metals such as Nitronic® 50,



INCONEL® 625, aluminum nickel bronze, titanium and 316 stainless steel for compatibility with your cable system and mission.

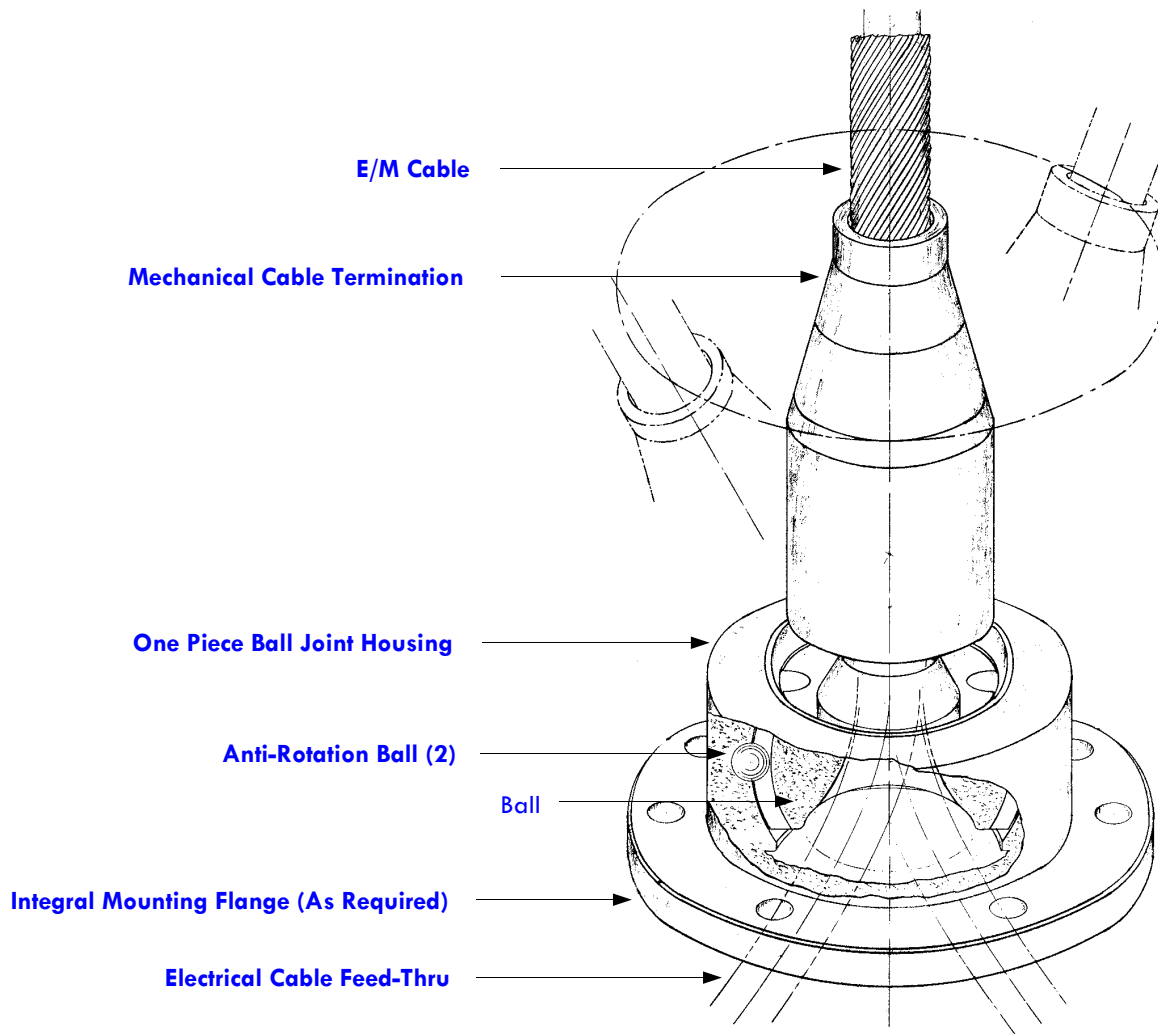
BALL JOINT Tow Point Adaptors are designed for use with DYNAGRIP®, EVER-GRIP™, and FARMOR™

Terminations and the EVERFLEX Bending Strain Relief.

Together, these products will provide full strength terminations with maximum survivability in the marine environment.

# BALL JOINT Tow Point Adaptor

The BALL-JOINT Tow Point Adaptor reduces or eliminates bending at the cable attachment point



## CUSTOMED ENGINEERED

BALL JOINT Tow Point Adaptors are custom engineered in sizes, materials, and degrees of articulation to meet your system requirements. In addition, special “breakaway” or weak link features can be incorporated. Configuration and prices are quoted to meet your strength, off-axis load angles, and interface specifications. The BALL JOINT Tow Point Adaptor is one of many PMI products for controlling stress in underwater cable systems designed to help you deal with the challenges of the ocean environment.

## IMPORTANT ORDERING INFORMATION

BALL JOINT Tow Point Adaptors are designed specifically for your application. To insure satisfaction please specify rope or cable diameter, construction or type, cable rated breaking strength, lay direction of outer strength members, anticipated off-axis loading, degree of articulation, and any size restrictions. For assistance in selecting correct products contact PMI Industries, Inc. or our sales representatives.

