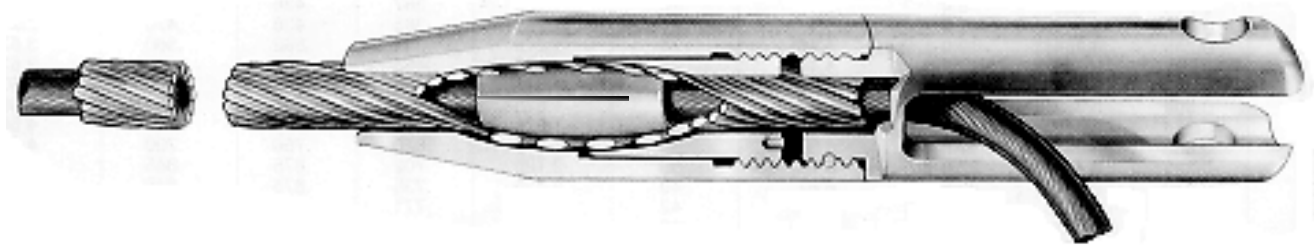


EVERGRIP™ Termination

- *Use On Wire Rope & E/M Cable*
- *Fast, Field Installable, Immediate Use*
- *Full Strength*
- *Proven Performance*
- *Corrosion Resistant*



EASY TO USE

No cable preparation, special training or tools required. To install, simply slip the housing down the cable and out of the way. Slide the insert in place. Then wrap the helical rods over the insert and cable. Move the housing back and screw the retainer into place to seat the helical rods and insert. Secure the whole assembly by screwing the clevis adaptor into place.

FULL STRENGTH

Designed to hold 100 percent of the cable's rated breaking strength. Applied over the outer armor strength members, the EVERGRIP™ Termination protects against fatigue of your cable system under severe dynamic conditions.

PROVEN PERFORMANCE

Exhaustive tests performed by our laboratory and experience at sea in

oceanographic, military, offshore petroleum and ROV systems proves the EVERGRIP™ Termination excels in reliability.

UNIQUE

The complete cable passes through the EVERGRIP™ Termination intact. Helical gripping rods hold the cable with low compression and friction forces distributed along the length of the rods. This unique helical concept eliminates concentrated stresses in the cable at the termination, reducing the potential for failure. Within the termination, tensile load transfers from the helical rods to the housing. A slotted insert locks the housing to the helical rods providing a sure and reliable marine termination.

Retermination kits are available which make reuse of the EVERGRIP™ Termination inexpensive and keeps downtime system at a minimum.

CORROSION RESISTANT

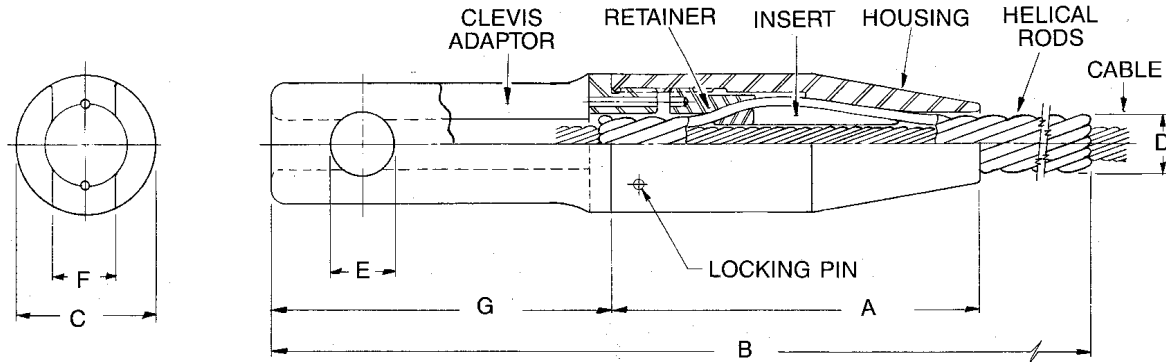
Standard kits are furnished in galvanized steel. Upon special request, the EVERGRIP™ Termination is available in a variety of corrosion resistant and non-magnetic materials such as 316 stainless steel, MONEL® and NITRONIC® 50.

ADDITIONAL PROTECTION AVAILABLE

For extended cable protection under conditions of severe bending, an EVERFLEX™ Bending Strain Relief can be attached at the nose of the EVERGRIP™ Termination. The EVERFLEX™ Bending Strain Relief limits bending, consequently controlling stresses at the rigid termination point.

EVERGRIP™ Termination

Fast, field installable mechanical for immediate use on electromechanical cable, optomechanical cable and wire rope.



EVERGRIP™ Termination Data & Dimensions

Model No.	Dash No.	Recommended Cable Range	Dash No.	Recommended Cable Range	Rated Holding Strength	Body Length w/o Adaptor	Total Length	Body Diameter	Diameter Over Rods	Pin Diameter	Clevis Slot Width	Clevis Adaptor Length
		Min. - Max.		Min. - Max.	(K-lbs)	A	B	C	D	E	F	G
114	-2	0.194 - 0.201	-3	0.202 - 0.209	6.4	3.47	19	1.125	.350	.438	.470	2.90
115	-2	0.210 - 0.217	-3	0.218 - 0.226	6.4	3.47	20	1.125	.367	.438	.470	2.90
116	-2	0.227 - 0.235	-3	0.236 - 0.244	7.0	3.47	21	1.125	.385	.438	.470	2.90
117	-2	0.245 - 0.254	-3	0.255 - 0.264	9.3	4.46	24	1.375	.444	.562	.560	3.63
118	-2	0.265 - 0.274	-3	0.275 - 0.285	9.3	4.46	26	1.375	.465	.562	.560	3.63
119	-2	0.286 - 0.296	-3	0.297 - 0.308	10.2	4.46	27	1.375	.488	.562	.560	3.63
120	-2	0.309 - 0.320	-3	0.321 - 0.333	14.4	5.57	31	1.875	.565	.750	.700	4.66
121	-2	0.334 - 0.346	-3	0.347 - 0.359	16.0	5.57	33	1.875	.571	.750	.700	4.66
122	-2	0.360 - 0.373	-3	0.374 - 0.388	17.6	5.57	34	1.875	.620	.750	.700	4.66
123	-2	0.389 - 0.403	-3	0.404 - 0.418	22.6	6.87	39	2.125	.702	.875	.845	5.70
124	-2	0.419 - 0.434	-3	0.435 - 0.451	22.6	6.87	40	2.125	.735	.875	.845	5.70
125	-2	0.452 - 0.469	-3	0.470 - 0.487	24.9	6.87	42	2.125	.771	.875	.845	5.70
126	-2	0.488 - 0.506	-3	0.507 - 0.525	35.2	8.45	49	2.625	.879	1.000	1.105	6.90
127	-2	0.526 - 0.540	-3	0.541 - 0.566	35.2	8.45	51	2.625	.920	1.000	1.105	6.90
128	-2	0.567 - 0.588	-3	0.589 - 0.611	38.7	8.45	52	2.625	.965	1.000	1.105	6.90
129	-2	0.612 - 0.634	-3	0.635 - 0.658	45.3	10.32	59	3.375	1.103	1.250	1.365	8.70
130	-2	0.659 - 0.684	-3	0.685 - 0.710	49.9	10.32	62	3.375	1.128	1.250	1.365	8.70
131	-2	0.711 - 0.737	-3	0.738 - 0.765	49.9	10.32	65	3.375	1.189	1.250	1.365	8.70
132	-2	0.766 - 0.794	-3	0.795 - 0.824	68.7	12.55	74	4.000	1.312	1.500	1.625	10.70
133	-2	0.825 - 0.856	-3	0.857 - 0.888	68.7	12.55	76	4.000	1.376	1.500	1.625	10.70
134	-2	0.889 - 0.922	-3	0.923 - 0.957	75.0	12.55	80	4.000	1.445	1.500	1.625	10.70
135	-2	0.958 - 0.994	-3	0.995 - 1.032	81.2	15.13	88	4.500	1.520	1.750	1.875	12.90
136	-2	1.033 - 1.071	-3	1.072 - 1.111	87.5	15.13	91	4.500	1.599	1.750	1.875	12.90
137	-2	1.112 - 1.154	-3	1.155 - 1.197	87.5	15.13	96	4.500	1.685	1.750	1.875	12.90

Ordering example for .376 cable:
Model No.: 122 Dash No.: -3

RHS= Rated Holding Strength
Consult PMI for RHS on jacketed cable applications

Metric Conversion:
inches x 25.40 = mm
K-lbs x 4.448 = KN

IMPORTANT ORDERING INFORMATION

EVERGRIP™ Terminations are built to close tolerances. To insure satisfaction, specify rope or cable diameter, construction or type, rated breaking strength and lay direction of outer strength members. For assistance in selecting correct products contact PMI Industries, Inc. or our sales representatives.

